

GTWN5650F

GE® 3.8 DOE cu. ft. capacity washer with stainless steel basket

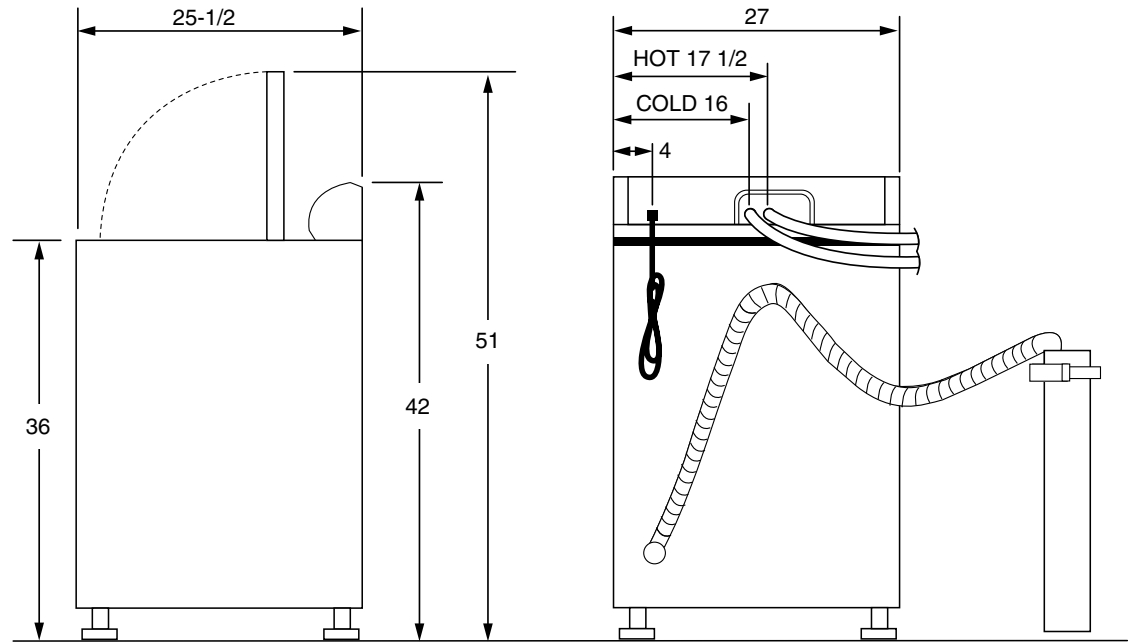
Dimensions and Installation Information (in inches)

Circuit Requirements: An individual, properly-grounded branch circuit, with a three-prong grounding-type receptacle, protected by a 15 or 20 amp circuit breaker or a time-delay fuse, is required.

Electrical Rating: 120V, 60Hz, 10A

Note: Washer wall outlet must be located within 36" of service code entry. Wall outlet must not be located behind dryer.

Installation Information: Before installing, consult installation instructions packed with product for current dimensional data.



Side View

Rear View

For answers to your Monogram® Cafe™ Series, Profile™ Series or GE® appliance questions, visit our website at geappliances.com or call GE Answer Center® service, 800.626.2000.

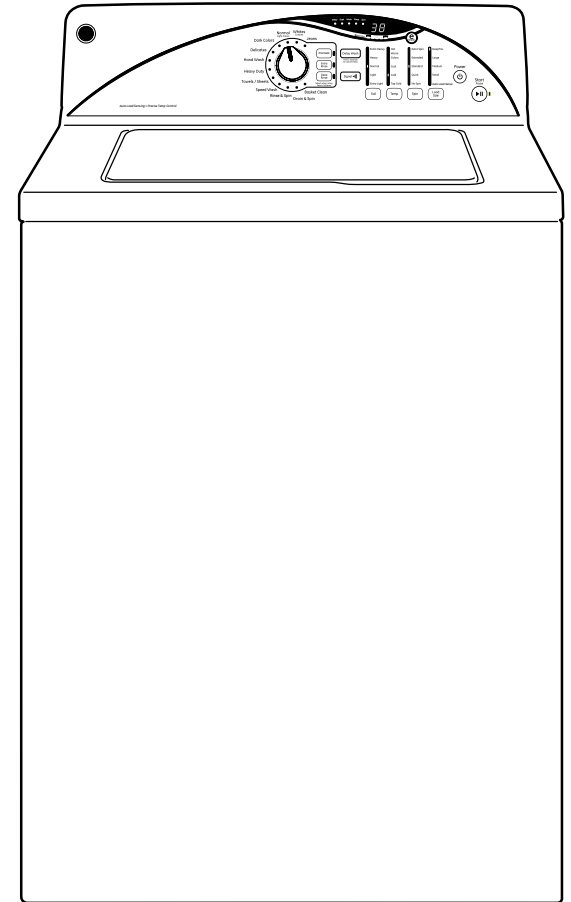


GTWN5650F

GE® 3.8 DOE cu. ft. capacity washer with stainless steel basket

Features and Benefits

- Optional deep rinse - When selected, optional deep rinse cycle ensure clothes are rinsed of soap residue and fabric softener
- Quiet agitator wash system - Get great cleaning results with the agitator system that uses variable-speed technology to tailor the wash action to specific clothing types
- LED electronic controls with cycle countdown display - Show exactly how much time is left for each cycle
- eWash Cold Wash Technology - Energy-saving option uses a cold water wash on select cycles without sacrificing performance
- eMonitor - Get the energy-saving insight you need to reduce your utility bills with an electronic readout that show the efficiency level of each load
- 20 Wash Cycles - Handle various fabrics and soils
- Model GTWN5650FWS – White with silver backslash



Modified Energy Factor (iMEF)*	1.5
Water Factor (iWF)*	5.5

*Certified by 10CFR-430 appendix J1



GE APPLIANCES

ENERGYGUIDE

Clothes Washer
Capacity Class: Standard

General Electric
Models: GTWN5650F
Capacity (tub volume); 3.8 Cubic Feet



Compare ONLY to other labels with yellow numbers.
Labels with yellow numbers are based on the same test procedures.

Estimated Yearly Energy Cost (when used with an electric water heater)

\$21

Cost range not available

177 kWh

Estimated Yearly Electricity Use

\$14

Estimated Yearly Energy Cost
(when used with a natural gas water heater)

- Your cost will depend on your utility rates and use.
- Cost range based only on standard capacity models.
- Estimated operating cost based on six wash loads a week and a national average electricity cost of 12 cents per kWh and natural gas cost of \$1.09 per therm.